



APPROVALS



ENGINEERING CODE
513306217

APPROVED REFRIGERANT
R-404A

POWER SUPPLY
220-240 V 50 Hz

STANDARD CONDITIONS
ASHRAE

APPLICATION
LBP

COOLING CAPACITY
352 W (LBP)

EFFICIENCY
1.4 W/W (LBP)

MOTOR TYPE
CSIR

STARTING TORQUE
HST

DATA

General Data

| | |
|-------------------------------|-----------------------------------|
| Type | Hermetic reciprocating |
| Technology Type | On-Off |
| Displacement | 5.96 cm ³ |
| Compressor Cooling | Fan/NotControlled/220 |
| Expansion Device | Capillary Tube or Expansion Valve |
| Horse Power | 1/3 hp |
| Power Supply | 220-240 V 50 Hz |
| Evaporating Temperature Range | -40 °C to -10 °C |

Electrical Data

| | |
|------------------------------------|------------------|
| Motor type | CSIR |
| Starting Torque | HST |
| Start Winding Resistance | 19.15 Ω at 25° C |
| Run Winding Resistance | 11.3 Ω at 25° C |
| Rated Load Amperage (RLA) at 50 Hz | 1.35 A |

Mechanical Data

| | |
|------------------------|---------|
| Oil Charge | 180 ml |
| Oil Type Configuration | ESTER |
| Oil Type Viscosity | ISO22 |
| Weight | 7.75 Kg |

Electrical Components

| | Description |
|------------------|------------------|
| Starting Device | Relay MTRP-36* |
| Motor Protection | T0571/G6 |
| Start Capacitor | 64-77 Uf / 330 V |

External Characteristics

| Tray Holder | Yes | |
|-------------|-------------------|--|
| Connector | Internal Diameter | Shape |
| Suction | 6.1 mm | Slanted 42° up + 45° to Back/Copper |
| Discharge | 4.94 mm | Slanted parallel BP+24° to Back/Copper |
| Process | 6.1 mm | Slanted 45° up + 45° to Back/Copper |

PERFORMANCE

Rated Points

| Condensing Temperature | Evaporating Temperature | Cooling Capacity | Power Consumption | Current | Gas Flow Rate | Efficiency |
|------------------------|-------------------------|------------------|-------------------|---------|---------------|------------|
| 54.40°C | -23.30°C | 352 W | 251 W | 1.58 A | 8.13 kg/h | 1.4 W/W |

Test Condition: ASHRAELBP32, Fan/NotControlled/220, Return Gas 32.2°C, Evaporation -23.30°C, Condensing 54.40°C, Ambient 32.2°C, Liquid 32.2°C, Subcooling 22.2K. Data in accordance to EN

12900:2013 and AHRI 540:2015 polynomial equation and uncertainty guidance.

Performance Curve Data

Condensing Temperature 35°C

| Evaporating Temperature °C | Cooling Capacity W | Power W | Current A | Gas Flow Rate kg/h | Efficiency W/W |
|----------------------------|--------------------|---------|-----------|--------------------|----------------|
| -40 | 177 | 155 | 1.29 | 4.06 | 1.14 |
| -35 | 229 | 175 | 1.35 | 5.26 | 1.31 |
| -30 | 292 | 195 | 1.41 | 6.75 | 1.5 |
| -25 | 369 | 217 | 1.48 | 8.56 | 1.7 |
| -20 | 459 | 239 | 1.55 | 10.70 | 1.92 |
| -15 | 564 | 261 | 1.62 | 13.22 | 2.16 |
| -10 | 683 | 284 | 1.7 | 16.13 | 2.4 |

Test Condition: ASHRAELBP32, Fan/NotControlled/220, Return Gas 32.2°C, Ambient 32.2°C, Liquid 32.2°C. Data in accordance to EN 12900:2013 and AHRI 540:2015 polynomial equation and uncertainty guidance.

Condensing Temperature 45°C

| Evaporating Temperature °C | Cooling Capacity W | Power W | Current A | Gas Flow Rate kg/h | Efficiency W/W |
|----------------------------|--------------------|---------|-----------|--------------------|----------------|
| -40 | 163 | 157 | 1.29 | 3.74 | 1.04 |
| -35 | 214 | 180 | 1.36 | 4.91 | 1.19 |
| -30 | 275 | 204 | 1.43 | 6.35 | 1.35 |
| -25 | 350 | 230 | 1.51 | 8.09 | 1.52 |
| -20 | 437 | 257 | 1.6 | 10.16 | 1.7 |
| -15 | 538 | 286 | 1.7 | 12.59 | 1.88 |
| -10 | 654 | 316 | 1.8 | 15.41 | 2.07 |

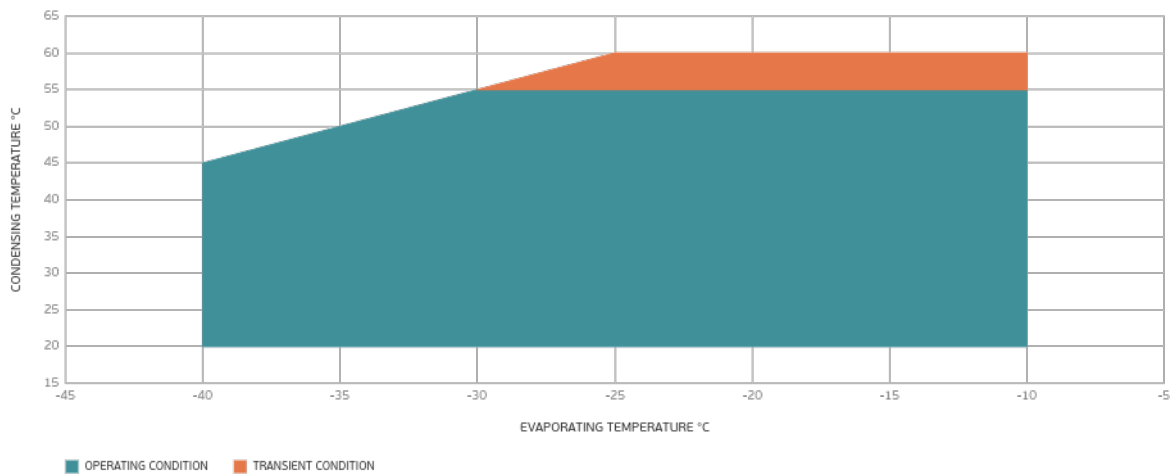
Test Condition: ASHRAELBP32, Fan/NotControlled/220, Return Gas 32.2°C, Ambient 32.2°C, Liquid 32.2°C. Data in accordance to EN 12900:2013 and AHRI 540:2015 polynomial equation and uncertainty guidance.

Condensing Temperature 55°C

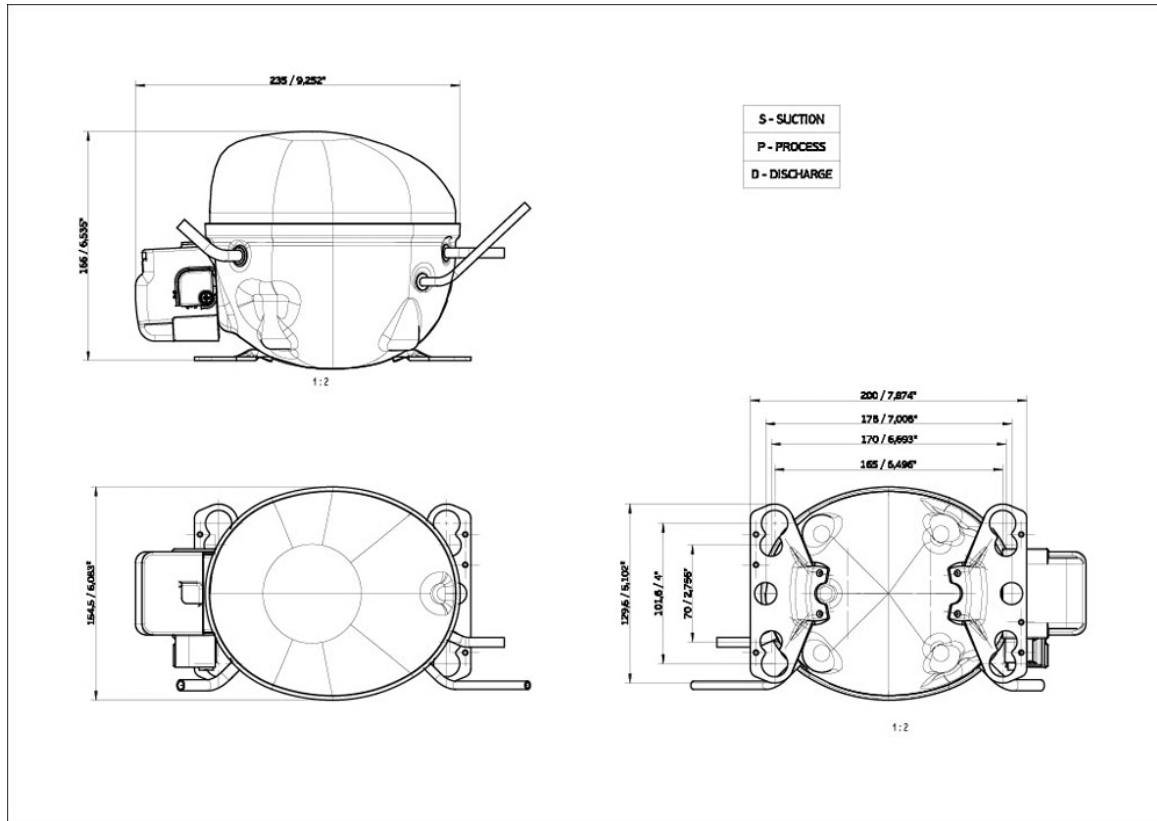
| Evaporating Temperature °C | Cooling Capacity W | Power W | Current A | Gas Flow Rate kg/h | Efficiency W/W |
|----------------------------|--------------------|---------|-----------|--------------------|----------------|
| -40 | 144 | 157 | 1.29 | 3.29 | 0.92 |
| -35 | 193 | 182 | 1.37 | 4.41 | 1.06 |
| -30 | 252 | 210 | 1.45 | 5.80 | 1.2 |
| -25 | 324 | 239 | 1.55 | 7.48 | 1.35 |
| -20 | 408 | 271 | 1.66 | 9.47 | 1.5 |
| -15 | 506 | 305 | 1.78 | 11.82 | 1.66 |
| -10 | 618 | 341 | 1.91 | 14.54 | 1.81 |

Test Condition: ASHRAELBP32, Fan/NotControlled/220, Return Gas 32.2°C, Ambient 32.2°C, Liquid 32.2°C. Data in accordance to EN 12900:2013 and AHRI 540:2015 polynomial equation and uncertainty guidance.

Operating Envelope



External Dimensions



Wiring Diagram

SM28-4

