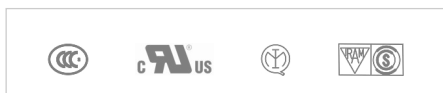


**APPROVALS**



**ENGINEERING CODE**  
922CN04

**APPROVED REFRIGERANT**  
R-404A

**POWER SUPPLY**  
200-240 V 50 Hz

**STANDARD CONDITIONS**  
ASHRAE

**APPLICATION**  
MBP

**COOLING CAPACITY**  
1458 W (MBP)

**EFFICIENCY**  
1.66 W/W (MBP)

**MOTOR TYPE**  
CSCR

**STARTING TORQUE**  
HST

**DATA**

**General Data**

Type	Hermetic reciprocating
Technology Type	On-Off
Displacement	17.39 cm <sup>3</sup>
Compressor Cooling	Fan/NotControlled/200
Fan Air Flow	520 m <sup>3</sup> /h
Expansion Device	Capillary Tube or Expansion Valve
Horse Power	1 hp
Max Condensing Pressure Operating	24.71 bar
Max Condensing Pressure Peak	27.71 bar
Power Supply	200-240 V 50 Hz / 230 V 60 Hz
Evaporating Temperature Range	-20 °C to 10 °C

**Electrical Data**

Motor type	CSCR
Starting Torque	HST
Start Winding Resistance	10.1 Ω at 25° C
Run Winding Resistance	1.75 Ω at 25° C

## Mechanical Data

Maximum Recommended Refrigerant Charge	800 g
Oil Charge	450 ml
Oil Type Configuration	ESTER
Oil Type Viscosity	ISO22
Pressurization	Dry air charge
Weight	17 Kg
Free Internal Volume	3.3 L

## Electrical Components

	Description
CSR / CSIR Box	YES
Starting Device	RVA3N3C-122
Run Capacitor	17.5
Start Capacitor	130-156 Uf / 250 V
Motor Protection	T0748/G9

## External Characteristics

Base Plate	Universal	
Tray Holder	No	
Height	220 mm	
Connector	Internal Diameter	Shape
Suction	9.6 mm	Vertical/Copper
Discharge	6.42 mm	Vertical/Copper
Process	6.42 mm	Vertical/Copper

## PERFORMANCE

## Rated Points

Condensing Temperature	Evaporating Temperature	Cooling Capacity	Power Consumption	Gas Flow Rate	Efficiency
54.40°C	-6.70°C	1458 W	877 W	39.84 kg/h	1.66 W/W

Test Condition: ASHRAEMBP46, Fan/NotControlled/200, Return Gas 35°C, Evaporation -6.70°C, Condensing 54.40°C, Ambient 35°C, Liquid 46.1°C, Subcooling 8.3K. Data are an indication of performance based simulation.

## Performance Curve Data

### Condensing Temperature 35°C

Evaporating Temperature °C	Cooling Capacity W	Power W	Gas Flow Rate kg/h	Efficiency W/W
-20	1116	607	24.23	1.84
-15	1410	663	30.81	2.13
-10	1769	719	38.89	2.46
-5	2193	774	48.55	2.83
0	2681	829	59.88	3.24
5	3233	881	72.96	3.67
10	3847	932	87.87	4.13

Test Condition: ASHRAEMB46, Fan/NotControlled/200, Return Gas 35°C, Ambient 35°C, Subcooling 8.3K. Data are an indication of performance based simulation.

### Condensing Temperature 45°C

Evaporating Temperature °C	Cooling Capacity W	Power W	Gas Flow Rate kg/h	Efficiency W/W
-20	963	639	23.09	1.51
-15	1210	704	29.21	1.72
-10	1515	770	36.80	1.97
-5	1876	838	45.95	2.24
0	2294	907	56.74	2.53
5	2767	977	69.24	2.83
10	3296	1047	83.54	3.15

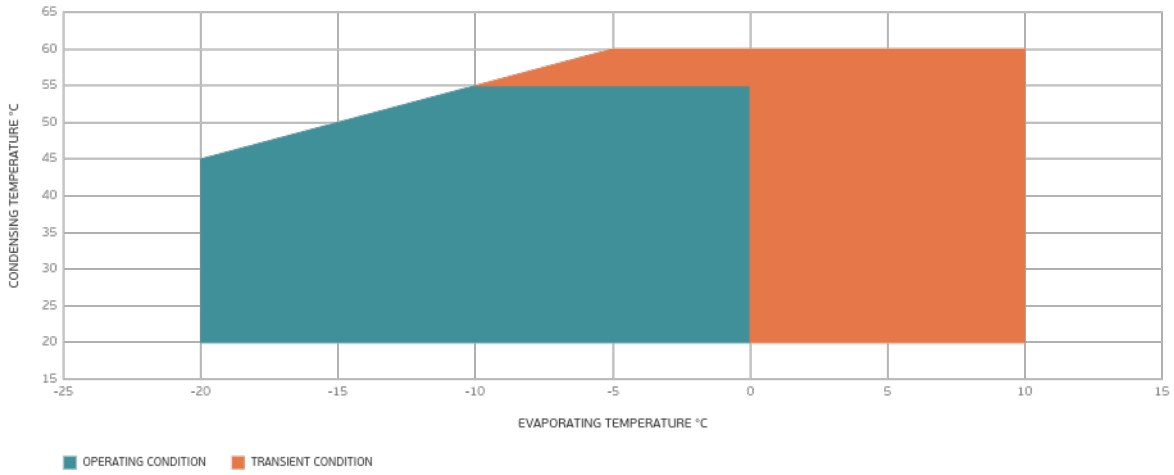
Test Condition: ASHRAEMB46, Fan/NotControlled/200, Return Gas 35°C, Ambient 35°C, Subcooling 8.3K. Data are an indication of performance based simulation.

### Condensing Temperature 55°C

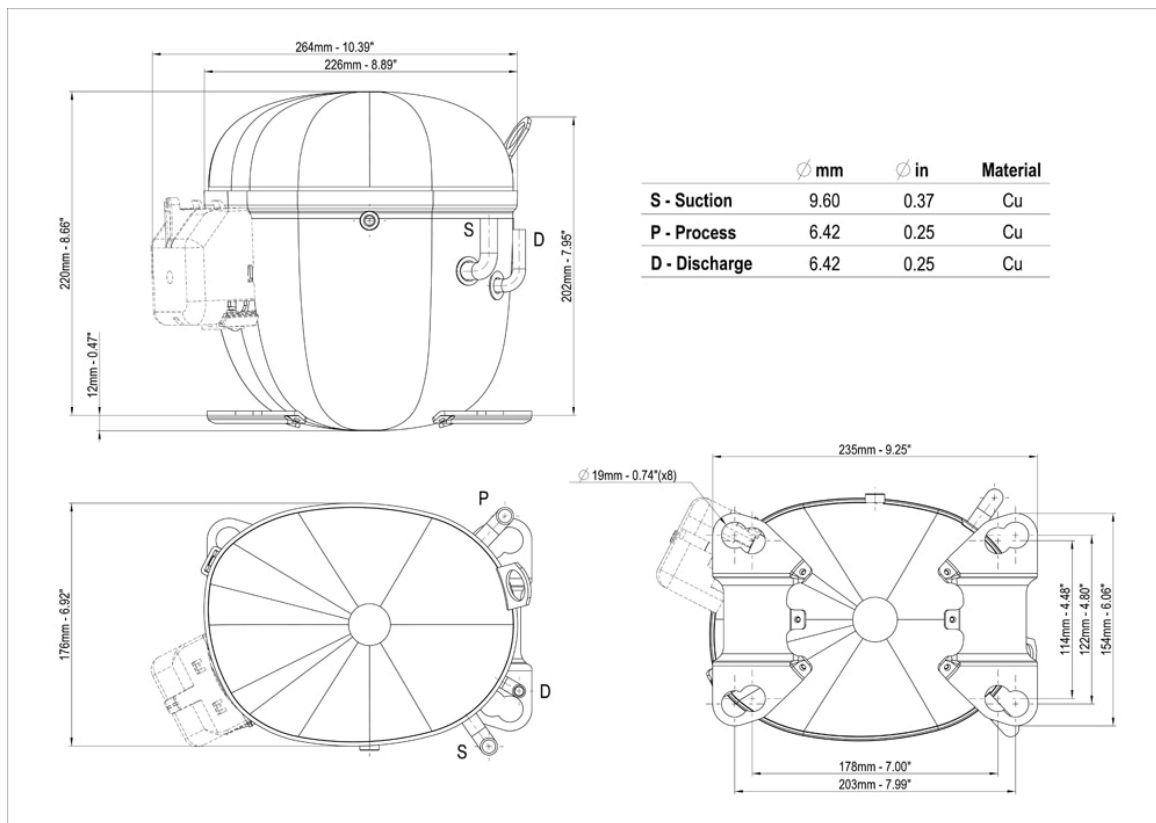
Evaporating Temperature °C	Cooling Capacity W	Power W	Gas Flow Rate kg/h	Efficiency W/W
-10	1254	832	34.27	1.51
-5	1552	904	42.80	1.72
0	1898	979	52.93	1.94
5	2292	1058	64.76	2.17
10	2733	1138	78.35	2.4

Test Condition: ASHRAEMB46, Fan/NotControlled/200, Return Gas 35°C, Ambient 35°C, Subcooling 8.3K. Data are an indication of performance based simulation.

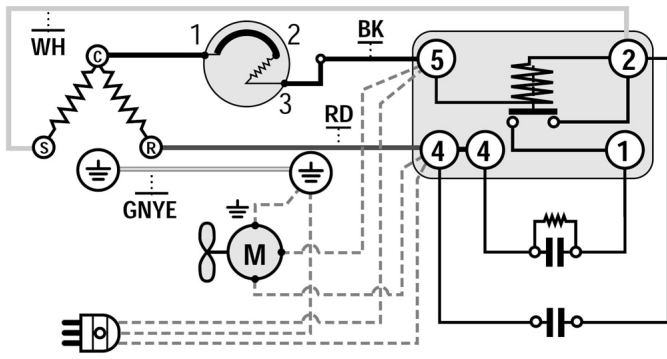
## Operating Envelope



## External Dimensions



## Wiring Diagram



## Assembly Instructions

