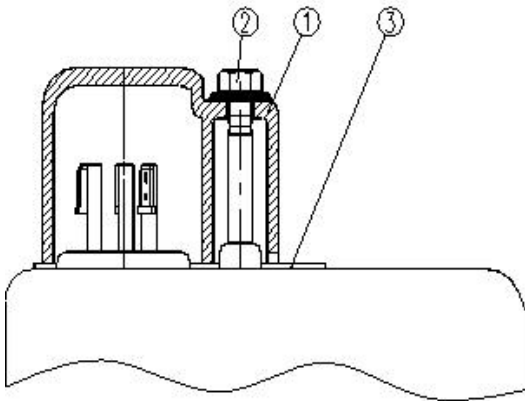
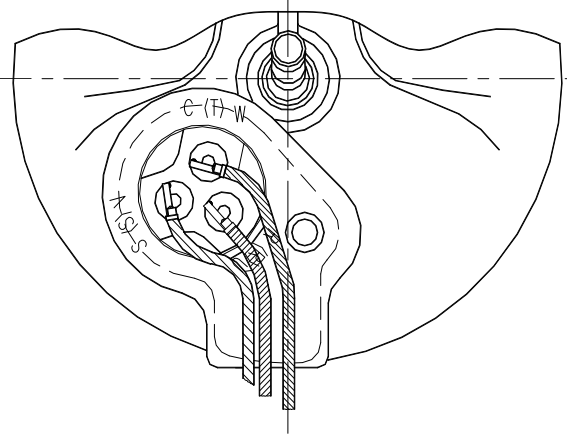
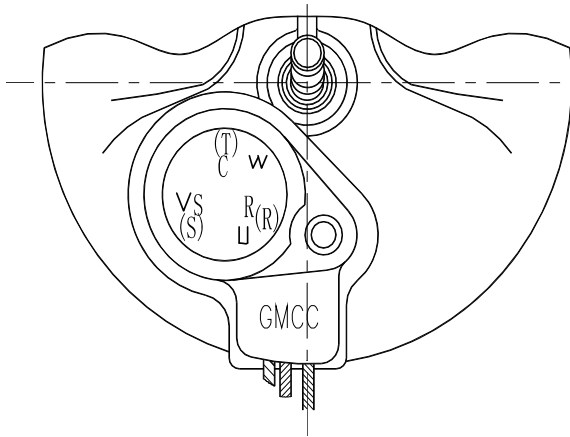


ELE COMPONENTS



③	TERMINAL PACKING	1K14720132
②	TERMINAL NUT	1K14300612
①	TERMINAL COVER	1K14720013
PART NO	TITLE	DRAWN NO

NOTES

Tightening torque of terminal nut: $1.2 \pm 0.2 \text{ Nm}$