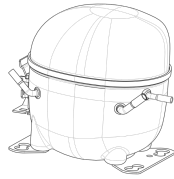


**220-240V 50 1~****GENERAL DATA**

**Application:** MBP  
**Refrigerant:** R290  
**Evaporating Temperature Range:** -20°C to 10°C  
**Compressor Cooling:** Fan  
**Fan air flow:** 520 m<sup>3</sup>/h  
**Type:** Hermetic reciprocating  
**Technology Type:** On-Off  
**Expansion Device:** Capillary Tube or Expansion Valve  
**Packing Quantity:** Multi - 37 pcs  
**Displacement:** 7.28 cm<sup>3</sup>  
**Horse power:** 1.3 hp

Approvals:   

**MECHANICAL DATA**

**Bore:** 26.5 mm  
**Stroke:** 13.2 mm  
**Oil Charge:** 350ml +/-15ml  
**Free Internal Volume:** 2.1 cm<sup>3</sup>  
**Maximum Recommended Refrigerant Charge:** 150 g  
**Oil Type Configuration:** Polyolester  
**Oil Type Viscosity:** ISO22  
**Compressor pressurization:** Without dry air charge  
**Weight:** 10.3 kg

**ELECTRICAL DATA**

**Motor Type:** CSIR  
**Starting Torque:** HST  
**Voltage working range at 50 Hz:** 198-254 V  
**Maximum Motor Temperature:** 130 °C  
**Start Winding Resistance:** 28.2 Ω (± 10%) at 25°C  
**Run Winding Resistance:** 6.1 Ω (± 10%) at 25°C  
**Locked Rotor Amperage (LRA):** 14 A

**MOUNTING ACCESSORIES**

	Description	Code
<b>Anchorage:</b>	no	-
<b>Capacitor Bracket:</b>	no	-
<b>Rotolock valve:</b>	no	-
<b>Sleeves:</b>	no	-
<b>Cover:</b>	yes	2075282
<b>Grommets:</b>	yes	2221011
<b>Washer:</b>	yes	2211047
<b>Pin:</b>	yes	2037140
<b>Clip:</b>	yes	2220020
<b>Terminal Board:</b>	yes	1027060
<b>Overload Protector Bracket:</b>	yes	2075299

**ELECTRICAL COMPONENTS**

	Component type	Description	Code
<b>Start Capacitor:</b>		43-53 MFD 330V	2252347
<b>Motor Protection:</b>	External 3/4"	T0186/G6	2319069
<b>Starting Device:</b>	Current relay	MTRP-0029-65	2334105

**EXTERNAL CHARACTERISTICS**

**Base Plate:** European  
**Tray Holder:** Yes  
**Height:** 188 mm

	Internal Diameter (mm)	Material	Shape
<b>Suction Connector</b>	8.1	Copper	Slanted 42°
<b>Discharge Connector</b>	6.1	Copper	Straight
<b>Process Connector</b>	6.1	Copper	Slanted 42°

**RATED POINT DATA**

Cooling Capacity (W)	Power Consumption (W)	Current Consumption (A)	Gas Flow Rate (kg/h)	Efficiency (W/W)
±5%	±5%	±5%	±5%	±7%
965	379	2.42	10.94	2.54

Test condition: ASHRAE, Fan, Return Gas 35°C, Subcooling 8.3K, Evaporating: 7.2°C, Condensing: 54°C, Ambient: 35°C

**PERFORMANCE CURVE DATA**

**220V 50Hz**

Condensing Temperature (°C)	Evaporating Temperature (°C)	Cooling Capacity (W)	Power Consumption (W)	Current Consumption (A)	Gas Flow Rate (kg/h)	Efficiency (W/W)
		±5%	±5%	±5%	±5%	±7%
<b>35°C</b>	10	1 339	297	2.12	13.48	4.51
	5	1 138	290	2.11	10.86	3.92
	0	954	283	2.09	9.30	3.37
	-5	791	275	2.06	8.14	2.88
	-10	652	264	2.03	6.71	2.47
	-15	543	250	1.98	4.34	2.17
	-20	466	231	1.93	0.38	2.02

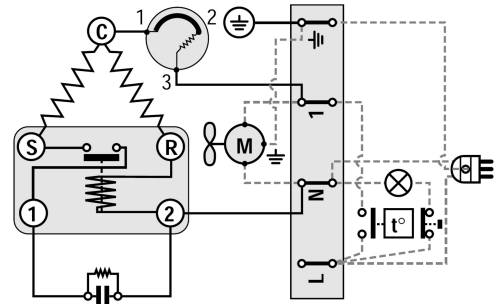
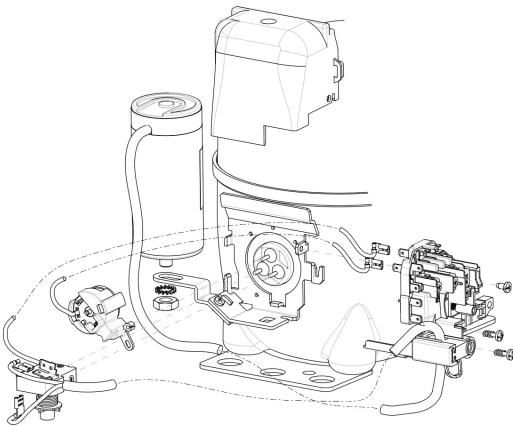
Condensing Temperature (°C)	Evaporating Temperature (°C)	Cooling Capacity (W)	Power Consumption (W)	Current Consumption (A)	Gas Flow Rate (kg/h)	Efficiency (W/W)
		±5%	±5%	±5%	±5%	±7%
<b>45°C</b>	10	1 185	344	2.28	12.97	3.45
	5	1 007	333	2.25	10.37	3.02
	0	844	322	2.21	8.86	2.62
	-5	697	309	2.17	7.76	2.26
	-10	572	293	2.11	6.40	1.95
	-15	472	273	2.05	4.14	1.73
	-20	401	248	1.97	0.29	1.62

Condensing Temperature (°C)	Evaporating Temperature (°C)	Cooling Capacity (W)	Power Consumption (W)	Current Consumption (A)	Gas Flow Rate (kg/h)	Efficiency (W/W)
		±5%	±5%	±5%	±5%	±7%
<b>55°C</b>	10	1 040	393	2.47	12.52	2.65
	5	886	377	2.41	9.94	2.35
	0	741	360	2.35	8.46	2.06
	-5	611	341	2.27	7.41	1.79
	-10	498	319	2.19	6.14	1.56

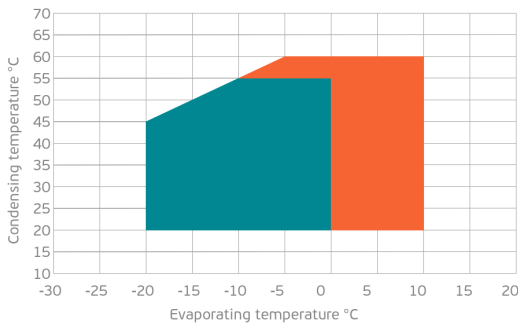
Test condition: ASHRAE, Fan, Return Gas 35°C, Subcooling 8.3K, Ambient: 35°C

**ASSEMBLY INSTRUCTION**

**WIRING DIAGRAM**

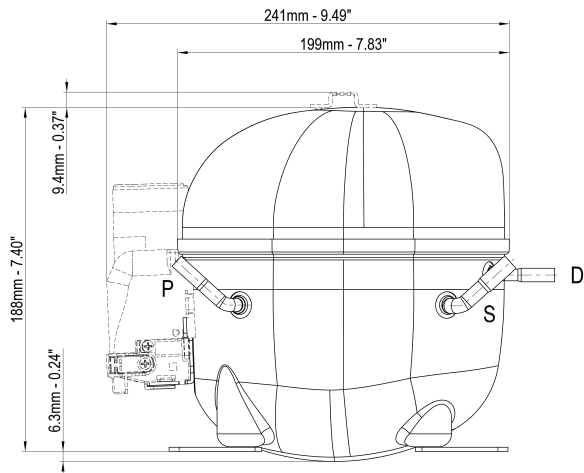


**OPERATING ENVELOPE**



- Operating Condition
- Transient Condition
- Superheating

**NOTE:** usage of compressors outside of intended working range cannot make use of the warranty, or should be consulted with Technical support.



	∅ mm	∅ in	Material
<b>S - Suction</b>	8.10 - 8.20	0.32	Cu
<b>P - Process</b>	6.10 - 6.20	0.24	Cu
<b>D - Discharge</b>	6.10 - 6.20	0.24	Cu

