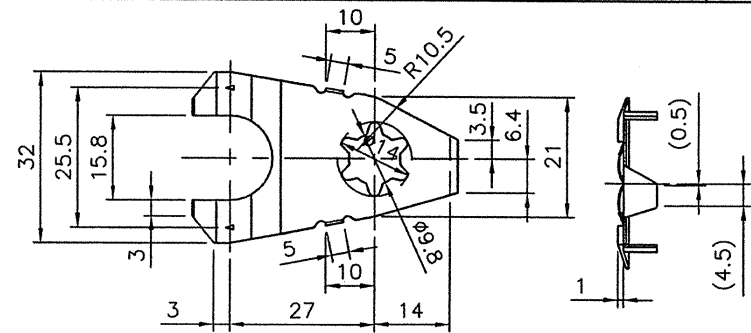
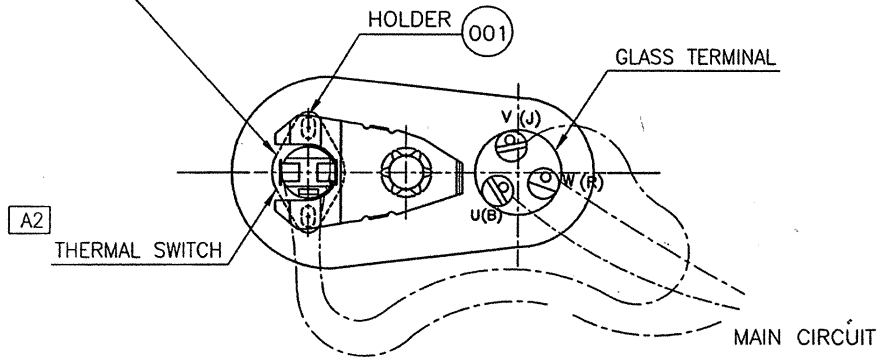


TERMINAL PART ASSY

THERMAL SWITCH MUST BE ON THE OPPOSITE SIDE OF GLASS TERMINAL

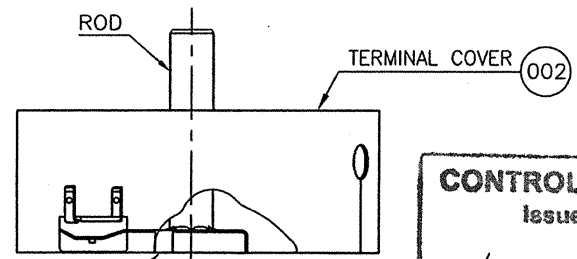


001 HOLDER

- NOTES
1. MATERIAL : SK-5
  2. THICKNESS : 0.5 mm.
  3. CORROSION PROTECTION : TRIVALENT CHROME PLATING

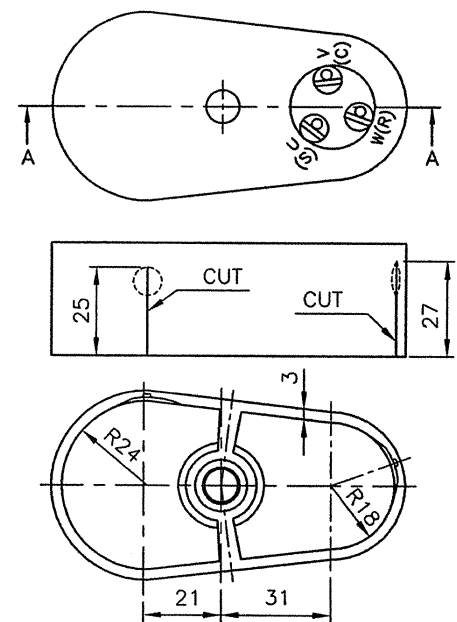
A1 SC02D275H01

SPECIAL NOTE  
THE PART SHOULD NOT CONTAIN PROHIBITED SUBSTANCE (Pb,Cd,Hg,Cr+6,PBB,PBDE) AND DETAIL SHOULD COMPLY WITH MITSUBISHI ELECTRIC CHEMICAL SUBSTANCE CONTROL LIST.

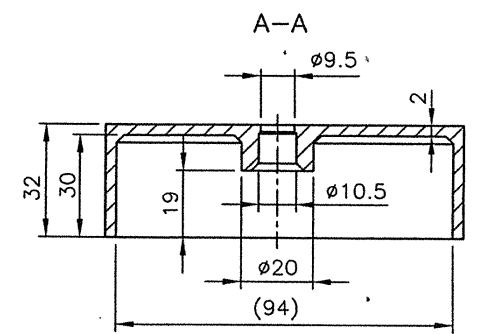


**CONTROLLED COPY**  
Issued Date  
19 FEB 2007  
TECHNICAL DIVISION  
SC1

NOTE 1. THREE LEGS FROM HOLDER MUST BE ATTACHED TO THE FLAT PART OF U. SHELL.



002 TERMINAL COVER



MATERIAL : FLAME RESISTING EPT RUBBER

CR26C047H01

CHANGE	001	A1 WAS HOLDER (CR02D467H01)
	A2	WAS THERMAL PROTECTOR. 07-02-19 J.SANTICHAI
		<i>[Signature]</i>

DIM. IN mm	SCALE	SIAM COMPRESSOR INDUSTRY CO.,LTD.		
		DATE	01-01-26	APPROVED
		DRAWN	T.JOOMPOL	
		CHECKED	<i>[Signature]</i>	<i>[Signature]</i>
DESIGNED		<i>[Signature]</i>		

TITLE	TERMINAL PART ASSY
DWG.NO.	SC01D033
	1/1