

Model

Designation	SC15CNX	220-240V/50Hz 1~	Sales code:	104H8576
-------------	----------------	-------------------------	-------------	-----------------

Compressor design

Oil type	Polyolester	Refrigerant(s)	R290
Oil viscosity	32cSt	Displacement	15,28cm ³ / 0,93cu.in
Oil quantity	500cm ³ / 16,9fl.oz	Compressors on pallet	80
Refr. charge - tech. limit	150g / 5,3oz		
Free gas volume comp.	1410cm ³ / 47,7fl.oz		
Weight	13,1kg / 28,9lbs		
Motor protection	1# internal		
Winding resistance main	5,13Ω (at 25°C)		
Winding resistance aux	13,51Ω (at 25°C)		
Max. winding temp.	125°C / 257°F		
Max. discharge temp.	135°C / 275°F		



General - Configurations with SC15CNX

	Conf. 1
Motorconfiguration	CSCR
Power supply (nominal)	220-240V/50Hz
Number of phases	1
Voltage range	198-254V
Approvals	VDE, CCC, EAC
Starting torque	HST
Note	- / -

Applications with SC15CNX

	Conf. 1
Refrigerant	R290
Application	LBP+MBP
System cooling	fan 3m/s
Hot gas defrost	OK
Long interval pull down	OK

Electrical data - Configurations with SC15CNX

	Conf. 1
Starting device type	relay
Run capacitor	10μF
Start capacitor	80μF
LRA (locked rotor amps / 4s)	16,2A
RLA (rated load amps / 1s)	3,1A
Cut in current	16,2A
IP class	21

Model

Designation

SC15CNX

220-240V/50Hz 1~

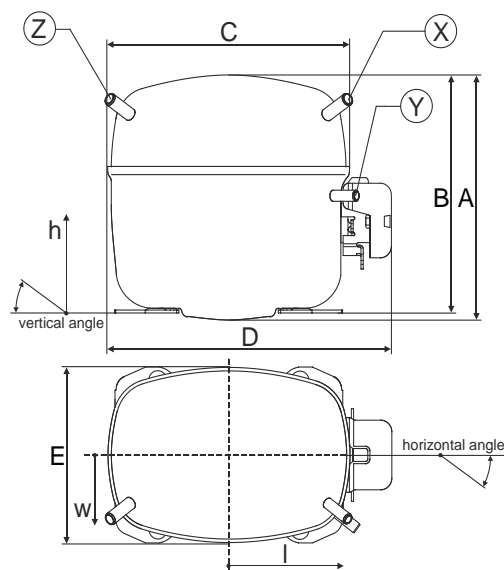
Sales code:

104H8576

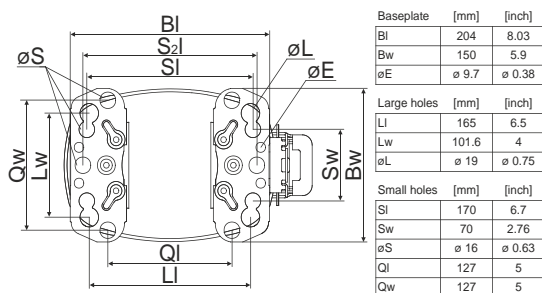
Compressor dimensions

Housing	A Height	209mm / 8,23in
	B Height	203mm / 7,99in
	C Length shell	218mm / 8,58in
	D Length w. cover	255mm / 10,04in
	E Width	151mm / 5,94in

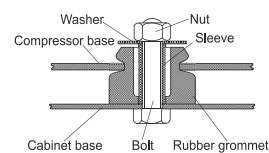
Connectors		Suction	Discharge	Process
		X	Y	Z
Diameter	[mm]	øi 9,54-9,72	øi 6,41-6,59	øi 6,41-6,59
	(i:inside, o:outside) [in]	øi 0,38-0,38	øi 0,25-0,26	øi 0,25-0,26
Material		copper	copper	copper
Horizontal angle	±2°	37°	37°	143°
Vertical angle	±2°	30°	0°	150°
Position l/h/w	[mm]	107/183/55	115/100/63	-107/183/55
	[in]	4,2/7,2/2,2	4,5/3,9/2,5	-4,2/7,2/2,2
Straight tube l.	[mm]	12	12	12
	[in]	0,5	0,5	0,5



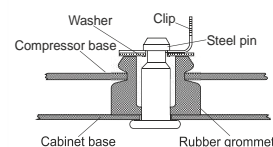
Compressor fixation



Bolt joint



Snap-on



Mounting accessories	one comp.	multi pack
Bolt joint M6 ø16mm	118-1917	118-1918
Bolt joint ø1/4" ø16mm	118-1946	
Bolt joint ø1/4" ø19mm	118-1949	
Snap-on ø7,3 ø16mm	118-1947	118-1919

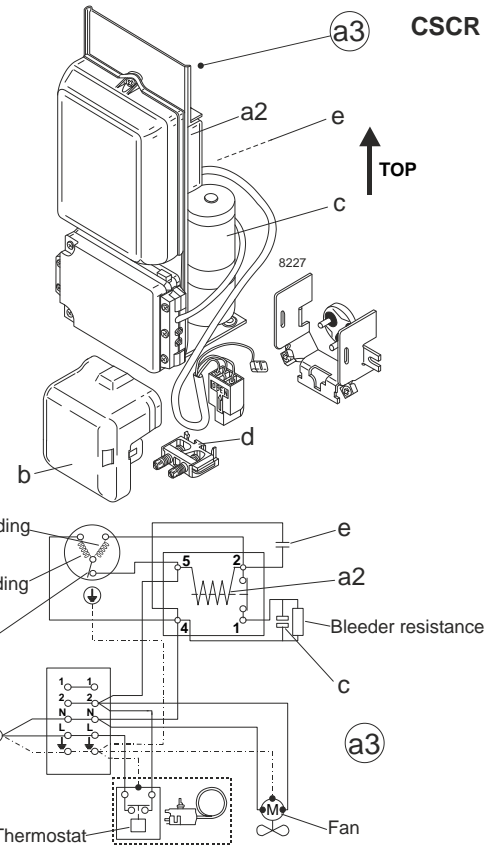
Model

Designation **SC15CNX 220-240V/50Hz** Conf. 1 Sales code: **104H8576**

Configuration

Motorconfiguration **CSCR**
 Power supply (nominal) **220-240V/50Hz 1~**
 Refrigerant **R290**
 Application **LBP+MBP**
 Voltage range **198-254V**
 Starting torque **HST**
 Approvals **VDE**
CCC
EAC

Electrical accessories / wiring diagram

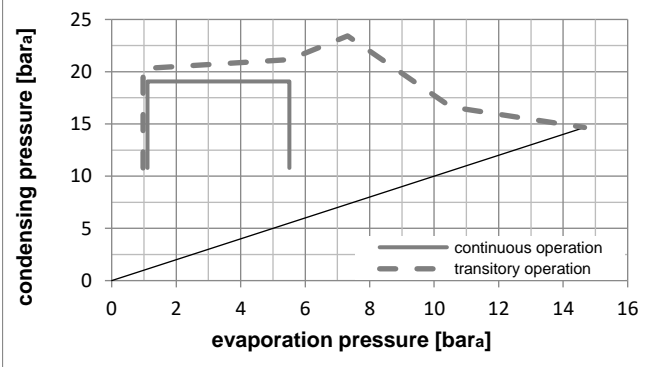
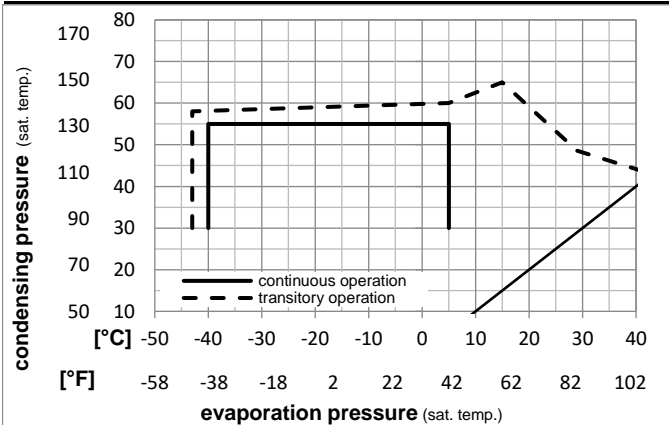


Ambient temperatures / system cooling

Ambient temperature min.: **10°C / 50°F**
 Ambient temperature max.: **43°C / 110°F**

System cooling (n/a: outside limits)			
T ambient	LBP	MBP	HBP
32°C / 90°F	fan 3m/s	fan 3m/s	n/a
38°C / 100°F	fan 3m/s	fan 3m/s	n/a
43°C / 110°F	fan 3m/s	fan 3m/s	n/a

Operation pressure range



Components

- a3 SC starter kit 117-7031
- b plastic cover 103N2009
- d cord relief 103N1004

Alternative components

- a2 potential relay (RVA 413340) 117-7426
- e run capacitor (10μF, 6.3mm) 117-7112
- c start capacitor (80μF) 117U5373
- b plastic cover 103N2009
- d cord relief 103N1004

Model

Designation **SC15CNX 220-240V/50Hz** Conf. 1 Sales code: **104H8576**

Optimization + standard conditions

220V/50Hz, CSCR, fan 3m/s, VDE, CCC, EAC

	Evaporating pressure (saturation temperature)				Condensing pressure (saturation temperature)						Power consumption			ASHRAE LBP
	pe	pc	RGT	Tliq	Cooling capacity			COP	EER	P1	I	Ref. mass flow		
	[°C]	[°F]	[°C]	[°F]	[W]	[Btu/h]	[kcal/h]	[W/W]	[Btu/Wh]	[kcal/Wh]	[W]	[A]	[kg/h]	
	-23,3	54,4	32,2	32,2	595,0	2032	512,0	1,35	4,61	1,16	440,7	2,15	6,03	ASHRAE LBP
	-10	130	90	90										
	-25	55	32	55	434,2	1483	373,6	1,04	3,54	0,89	418,4	2,04	5,41	cecomaf LBP
	-13	131	89,6	131										
	-35	40	20	40	334,7	1143	288,1	1,03	3,52	0,89	325,0	1,60	3,82	EN12900 LBP
	-31	104	68	104										
	-6,66	54,4	35	46,1	1184,2	4044	1019,2	1,83	6,25	1,57	647,3	3,23	13,51	ASHRAE MBP
	20	130	95	115										
	-10	55	32	55	928,2	3170	798,8	1,52	5,21	1,31	608,7	3,03	11,74	cecomaf MBP
	14	131	89,6	131										
	-10	45	20	45	1050,0	3586	903,6	1,87	6,40	1,61	560,3	2,82	12,89	EN12900 MBP
	14	113	68	113										

Performance tables

220V/50Hz, CSCR, fan 3m/s, VDE, CCC, EAC

	pe	Cooling capacity			COP	EER	P1	I	m		
	[°C]	[°F]	[W]	[Btu/h]	[kcal/h]	[W/W]	[Btu/Wh]	[kcal/Wh]	[W]	[A]	[kg/h]
[°C / °F]	-40	-40	195,0	666	167,9	0,76	2,61	0,66	255,5	1,28	2,18
cond. pressure	-35	-31	297,0	1014	255,6	0,94	3,22	0,81	315,3	1,55	3,33
pc= 45/113	-30	-22	414,6	1416	356,8	1,12	3,83	0,97	369,6	1,82	4,66
return gas temp.	-25	-13	550,3	1879	473,6	1,31	4,48	1,13	419,8	2,08	6,21
RGT= 32/90	-15	5	886,9	3029	763,3	1,73	5,90	1,49	513,8	2,58	10,09
liquid temp	-5	23	1327,9	4535	1142,8	2,18	7,46	1,88	608,3	3,05	15,29
Tliq= 45/113	5	41	1894,1	6469	1630,1	2,65	9,05	2,28	714,5	3,49	22,16
[°C / °F]	-40	-40	103,6	354	89,2	0,53	1,82	0,46	194,9	0,98	1,28
cond. pressure	-35	-31	200,0	683	172,1	0,73	2,48	0,62	275,4	1,34	2,47
pc= 55/131	-30	-22	309,3	1056	266,2	0,89	3,02	0,76	349,5	1,69	3,84
return gas temp	-25	-13	434,2	1483	373,6	1,04	3,54	0,89	418,4	2,04	5,41
RGT= 32/90	-15	5	741,0	2531	637,7	1,36	4,63	1,17	546,6	2,70	9,32
liquid temp	-5	23	1141,4	3898	982,3	1,70	5,81	1,46	671,2	3,34	14,54
Tliq= 55/131	5	41	1656,4	5657	1425,5	2,06	7,04	1,77	803,3	3,95	21,48